



Panel m. color  
glcd mult.,  
RS485 + ETH  
DMG9000D048  
Three-phase +  
neutral + earth

Product designation

Product type designation

Type

### Auxiliary supply Us

Auxiliary rated supply voltage DC	VDC	12...48
Auxiliary operating voltage range DC	min VDC	12
	Max VDC	48

Power consumption

Max VA 15

Power dissipation Max

W 6

### Measuring voltage inputs

Rated voltage (Ue)	phase-phase	VAC	600
	phase-neutral	VAC	347
Operating voltage range	phase-phase	VAC	40...830
	phase-neutral	VAC	5...480
Voltage inputs operational frequency	min	Hz	45 and 360
	max	Hz	66 and 440
Voltage inputs measurement method	True RMS		

Connection method

Single. Two.  
Three-phase with  
or without neutral.  
Balanced three-  
phase system.  
Three-phase  
ARON.

### Current inputs

Rated current (Ie)	A	1A/5A
Measurement range	0.004...6	
Measurement method	TRMS	
Overload capacity	+20% Ie by external CT with 5A secondary	
Overload peak	A	120A for 0.5s

### Accuracy

VLN voltage Class 0.2  
(IEC/EN 61557-12), V:50-480V~

VLL voltage	Class 0.2 (IEC/EN 61557-12), V:87-830V~
Current	Class 0.2 (IEC/EN 61557-12), In:5A~
Frequency	Class 0.02 (IEC/EN 61557-12)
Active power	Class 0.5 (IEC/EN 61557-12)
Reactive power	Class 1 (IEC/EN 61557-12)
Active energy	Class 0.5s (IEC/EN 62053-22)
Reactive energy	Class 1 (IEC/EN 62053-24)
THD	Class 5 (IEC/EN 61557-12)
2nd 15th order harmonics	Class 5 (IEC/EN 61557-12)

#### Insulations

Rated insulation voltage Ui IEC/EN	V	600
Rated impulse withstand voltage Uimp	kV	9.6
Operating frequency withstand voltage	kV	5.4

#### Functions

Harmonic analysis	63rd order
PLC logic	Yes
Type of communication port	RS485/Ethernet
Ethernet-RS485 gateway function	Yes
Data logging memory	Yes
Neutral/earth current and voltage monitoring	Yes
Statistics of network quality according to EN50160	Yes
EASY BRANCH support	Yes

#### Mechanical features

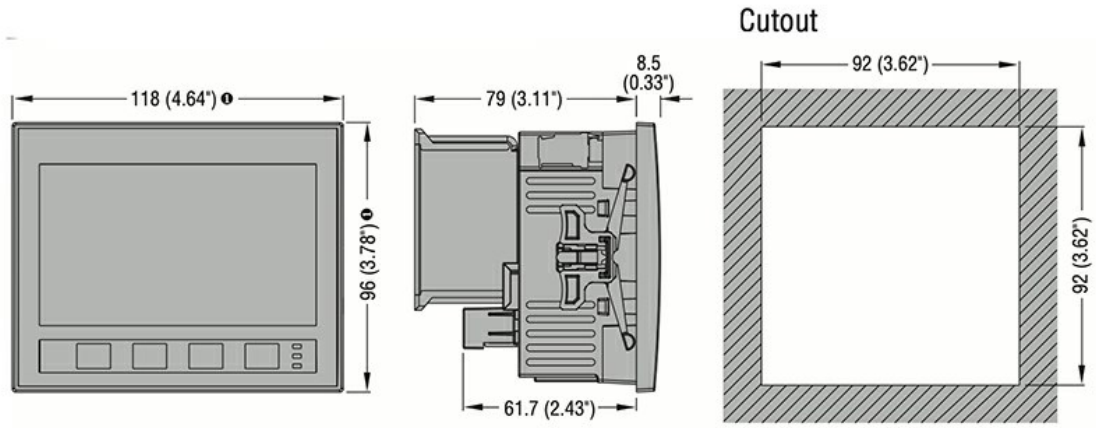
Housing type	Xantar RAL 7035
Terminals type	Removable
Conductor cross section	min mm <sup>2</sup> 0.2 Max mm <sup>2</sup> 2.5 min AWG 24 Max AWG 12
Tightening torque (Max)	Nm 0.5 lbin 4.5
Fixing	Flush-mounting
Weight	g 439

#### Ambient conditions

Temperature	Operating temperature	min °C -20 max °C +60
	Storage temperature	

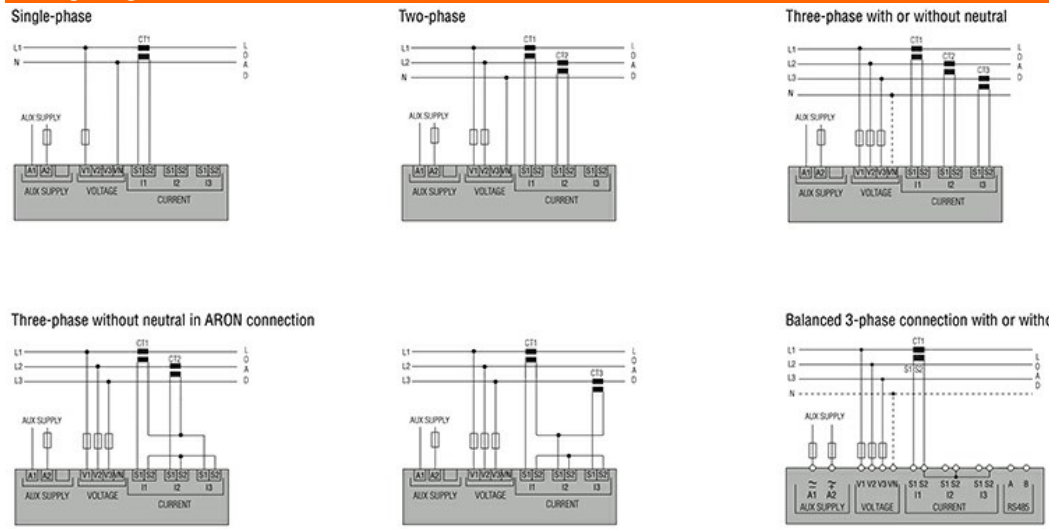
	min	°C	-30
	max	°C	+80
Relative humidity		%	<80
Maximum Pollution degree			2
Protection degree			IP65

**Dimensions**



① Dimensions with gasket: 122x100mm/4.80x3.94"

**Wiring diagrams**



CODE	AUX SUPPLY
DMG100-110-200-210-300	100...240VAC 110...250VDC
DMG6...	100...440VAC 110...250VDC
DMG7000-7500-8000-9000	100...240VAC 110...250VDC



**Certifications and compliance**

Compliance

CSA 22.2 No 61010-2-030
CSA C22.2 No 61010-1
IEC/EN/BS 61010-1
UL61010-1
UL61010-2-030

Certificates

CE
UKCA

**ETIM classification**

ETIM 8.0

EC002301 -  
Multifunction  
measuring  
instrument